

MLT-X845

TECHNICAL DATA SHEET



 **MANITOU**

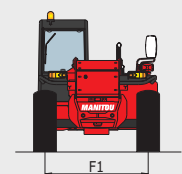
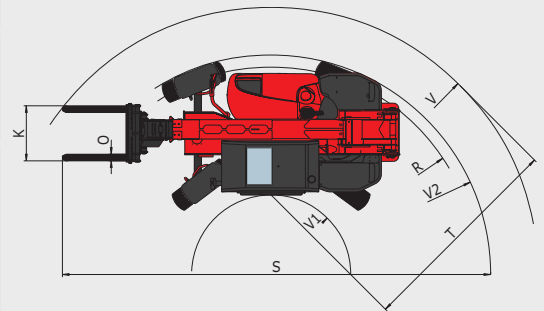
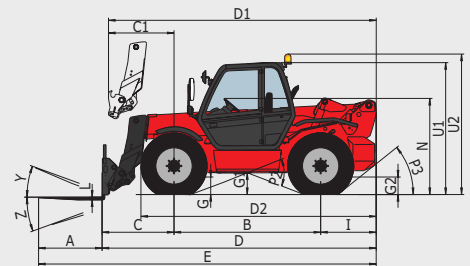
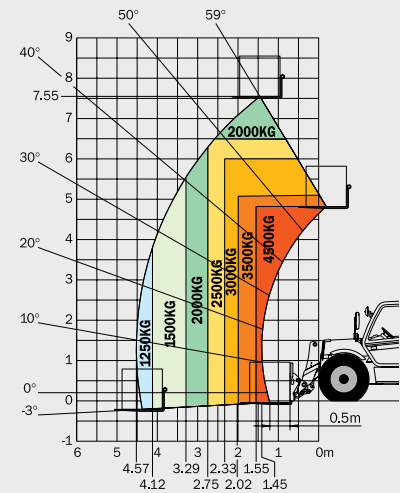
www.manitou.com

MLT-X845

	MLT-X 845-120 H	MLT-X 845-120	
	Lifting capacity at 500 mm from fork heels	4500 kg	
	Break-out force	6650 daN	
	Lifting height	7.55 m	
	Time: laden/unladen (in sec)		
	Lifting	8.40/9.00	
	Lowering	6.00/5.80	
	Extension	9.70/9.90	
	Retraction	8.30/8.20	
	Crowd	3.70	
Dump	3.30		
	Tyres	460/70 R24	
	Forks (mm)		
	Length x width x thickness	1200 x 125 x 50	
	Carriage rotation	142°	
	Braking	multiple-disk brake with oil bath on front and rear axles	
	MERCEDES STAGE III A engine	OM-904LA	
	Cubic capacity	Turbo 4 cyl./4250 cm ³	
	Power at 2200 rpm (ISO/TR 14396)	121 HP/90 kW	
	Max. torque at 1600 rpm (ISO/TR 14396)	470 Nm	
	Injection	direct	
	Cooling	water	
	Transmission	hydrostatic	torque converter
	Gearbox	-	Powershuttle
	Number of gears (forward/reverse)	2/2	4/4
	Max. travel speed	28 kph*	33 kph*
	Hydraulics	150 l/min - 270 bar	
	Piston pump	electronically controlled variable cubic capacity	
	Control valve	DDIC	
	Capacities		
	Hydraulic oil	131 l	
	Fuel	135 l	
	Unladen weight (with forks)	8870 kg	8816 kg
	Width overall	2.42 m	
	Height overall	2.58 m	
	Length overall	5.22 m	
	Turning radius (outer wheels)	4.16 m	
	Ground clearance	0.45 m	
	Drawbar pull	up to 10355 daN	
	Noise at driving position (LpA)	80 dB	
	Environmental noise (LwA)	106 dB	
	Vibration to whole hand/arm	< 2.5 m/s ²	

Maximum height reach: 1.46 m

As per standard EN 1459 annex B



mm	D2	4410	I	1050	P3	40°	V1	1470
A	E	4410	J	950	R	3930	V2	4165
B	F	6429	K	1260	S	8159	W	2420
C	F1	1950	L	50	T	3703	Y	12°
C1	G	455	N	1865/1915	U1	2580	Z	130°
D	G1	450	O	125	U2	2760		
D1	G2	455	P2	43.5°	V	5173		

This brochure describes versions and configuration options for Manitou products which may be fitted with different equipment. The equipment described in this brochure may be standard, optional or not available depending on version. Manitou reserves the right to change the specifications shown and described at any time and without prior warning. The manufacturer is not liable for the specifications given. For more information, contact your Manitou dealer. Non-contractual document. Product descriptions may differ from actual products. List of specifications is not comprehensive. The logos and visual identity of the company are the property of Manitou and may not be used without authorisation. All rights reserved. The photos and diagrams contained in this brochure are provided for information only.

MANITOU BF SA - Limited company with board of directors - Share capital: 39,547,824 euros - 857 802 508 RCS Nantes

