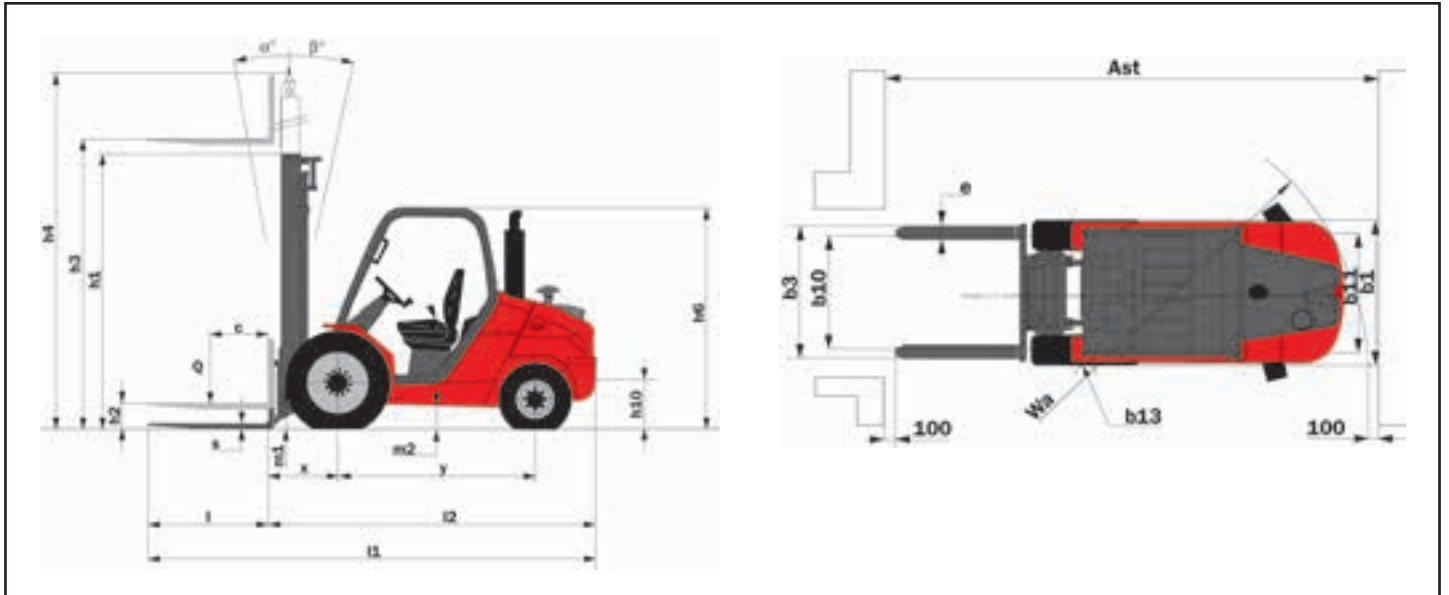




| | | | MANITOU | MANITOU | MANITOU | MANITOU |
|--|--|------------------|-----------------|-----------------|-----------------|-----------------|
| | | | MSI 20 | MSI 25 | MSI 30 | MSI 35 |
| | | | | | | |
| | | Q | 2 | 2,5 | 3,0 | 3,5 |
| | | c | 500 | 500 | 500 | 500 |
| | | x | 625 | 625 | 630 | 630 |
| | | y | 1800 | 1800 | 1800 | 1800 |
| | | | 3770 | 4070 | 4704 | 4845 |
| | | | 4911 / 859 | 5695 / 875 | 6782 / 922 | 7430 / 915 |
| | | | 1661 / 2109 | 1633 / 2437 | 1899/2805 | 1732/3113 |
| | | | 275/70 R22.5 | 275/70 R22.5 | 275/70 R22,5 | 275/70 R22,5 |
| | | | 7.00X12 14PR | 7.00X12 14PR | 7.00X12 14PR | 7.00X12 14PR |
| | | | 2 x 2 | 2 x 2 | 2 x 2 | 2 x 2 |
| | | b10 | 1046 | 1046 | 1046 | 1046 |
| | | b11 | 1102 | 1102 | 1102 | 1102 |
| | | α / β | 10 / 12 | 10 / 12 | 10/12 | 10/12 |
| | | h1 | 2300 | 2300 | 2300 | 2300 |
| | | h2 | 130 | 130 | 130 | 130 |
| | | h3 | 3300 | 3300 | 3300 | 3300 |
| | | h4 | 4131 | 4131 | 4193 | 4193 |
| | | h6 | 2105 | 2105 | 2105 | 2105 |
| | | h7 | 1025 | 1025 | 1025 | 1025 |
| | | h10 | 470 | 470 | 470 | 470 |
| | | l1 | 4045 | 4045 | 4080 | 4130 |
| | | l2 | 2945 | 2945 | 2980 | 3030 |
| | | b1 | 1323 | 1323 | 1323 | 1323 |
| | | s / e / l | 40 / 100 / 1100 | 40 / 100 / 1100 | 40 / 100 / 1100 | 45 / 125 / 1100 |
| | | | | | | |
| | | b3 | 1260 | 1260 | 1260 | 1260 |
| | | m1 | 270 | 270 | 270 | 270 |
| | | m2 | 260 | 260 | 260 | 260 |
| | | Ast | 4425 | 4425 | 4425 | 4495 |
| | | Ast | 4625 | 4625 | 4625 | 4695 |
| | | Wa | 2600 | 2600 | 2635 | 2665 |
| | | b13 | 150 | 150 | 150 | 150 |
| | | | 20 / 20 | 20 / 20 | 20 / 20 | 20 / 20 |
| | | | 0.4 / 0.5 | 0.4 / 0.5 | 0,4 / 0,5 | 0,4 / 0,5 |
| | | | 0.6 / 0.5 | 0.6 / 0.5 | 0,5 / 0,4 | 0,4 / 0,3 |
| | | | 2280 / 1370 | 2280 / 1370 | 2460 / 1260 | 2640 / 1560 |
| | | | 33 / 37 | 31 / 32 | 24 / 29 | 29 / 29 |
| | | | | | | |
| | | | 44 | 44 | 44 | 44 |
| | | | 2700 | 2700 | 2700 | 2700 |
| | | | 4/2434 | 4/2434 | 4/2434 | 4/2434 |
| | | | | | | |
| | | | 140 | 170 | 185 | 190 |
| | | | 77 | 77 | 77 | 77 |
| | | | 82 | 82 | 82 | 82 |



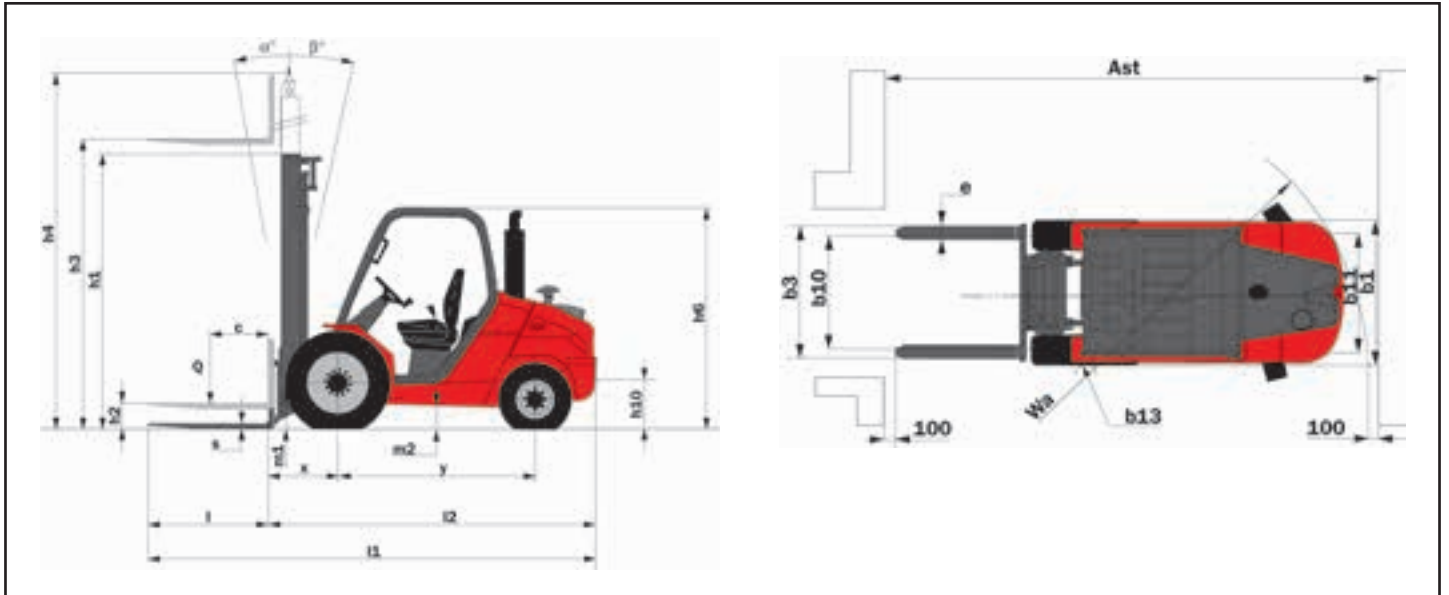
| MSI 2,0 & 2,5 T | | | MSI 2,0 & 2,5 T | | | | | | | | MSI 2,0 & 2,5 T | | | |
|-----------------|----|--|-----------------|-------|-------|-------|-------|-------|-------|-------|-----------------|-------|-------|-------|
| | | | DVT30 | DVT33 | DVT35 | DVT37 | DVT40 | DVT45 | DVT50 | DVT55 | DVT560 | DLL30 | DLL33 | DLL35 |
| h3* | mm | | 3000 | 3300 | 3500 | 3700 | 4000 | 4500 | 5000 | 5500 | 6000 | 3000 | 3300 | 3500 |
| h1 | mm | | 2150 | 2300 | 2400 | 2560 | 2750 | 3000 | 3250 | 3500 | 3790 | 2150 | 2300 | 2400 |
| h2 | mm | | 130 | 130 | 130 | 130 | 130 | 130 | 130 | 130 | 130 | 1393 | 1543 | 1643 |
| h4 | mm | | 3831 | 4131 | 4331 | 4531 | 4831 | 5331 | 5831 | 6331 | 6831 | 3797 | 4097 | 4297 |
| | kg | | 2000 | 2000 | 2000 | 2000 | 2000 | 1800 | 1500 | - | - | 2000 | 2000 | 2000 |
| | kg | | 2500 | 2500 | 2500 | 2500 | 2500 | 2200 | 1900 | - | - | 2500 | 2500 | 2500 |

| MSI 2,0 & 2,5 T | | | MSI 2,0 & 2,5 T | | | MSI 2,0 & 2,5 T | | | | | | | | |
|-----------------|----|--|-----------------|-------|-------|-----------------|-------|-------|-------|-------|-------|-------|-------|-------|
| | | | DLL37 | DLL40 | DLL45 | TLL37 | TLL40 | TLL43 | TLL47 | TLL50 | TLL55 | TLL60 | TLL65 | TLL70 |
| h3* | mm | | 3700 | 4000 | 4500 | 3700 | 4000 | 4300 | 4700 | 5000 | 5500 | 6000 | 6600 | 7000 |
| h1 | mm | | 2560 | 2750 | 3000 | 1950 | 2050 | 2150 | 2300 | 2400 | 2560 | 2750 | 3000 | 3250 |
| h2 | mm | | 1803 | 1993 | 2243 | 1221 | 1321 | 1421 | 1571 | 1671 | 1831 | 2021 | 2271 | 2521 |
| h4 | mm | | 4497 | 4797 | 5297 | 4469 | 4769 | 5069 | 5469 | 5769 | 6269 | 6769 | 7269 | 7769 |
| | kg | | 2000 | 2000 | 1500 | 2000 | 2000 | 2000 | 1700 | 1500 | 1300 | 1000 | - | - |
| | kg | | 2500 | 2500 | 1900 | 2500 | 2500 | 2400 | 2100 | 1900 | 1500 | 1500 | - | - |

| MSI 3,0 & 3,5 T | | | MSI 3,0 & 3,5 T | | | | | | | | MSI 3,0 & 3,5 T | | | |
|-----------------|----|--|-----------------|-------|-------|-------|-------|-------|-------|-------|-----------------|-------|-------|-------|
| | | | DVT30 | DVT33 | DVT35 | DVT37 | DVT40 | DVT45 | DVT50 | DVT55 | DVT560 | DLL30 | DLL33 | DLL35 |
| h3* | mm | | 3000 | 3300 | 3500 | 3700 | 4000 | 4500 | 5000 | 5500 | 6000 | 3000 | 3300 | 3500 |
| h1 | mm | | 2150 | 2300 | 2400 | 2560 | 2750 | 3000 | 3250 | 3500 | 3790 | 2150 | 2300 | 2400 |
| h2 | mm | | 135 | 135 | 135 | 135 | 135 | 135 | 135 | 135 | 135 | 1396 | 1546 | 1646 |
| h4 | mm | | 3893 | 4193 | 4393 | 4593 | 4893 | 5396 | 5863 | 6393 | 6893 | 3799 | 4099 | 4299 |
| | kg | | 3000 | 3000 | 3000 | 3000 | 3000 | 2600 | 2400 | 1900 | 1500 | 3000 | 3000 | 3000 |
| | kg | | 35000 | 3500 | 3500 | 3500 | 3400 | 3100 | 3000 | - | - | 3500 | 3500 | 3500 |

| MSI 3,0 & 3,5 T | | | MSI 3,0 & 3,5 T | | | MSI 3,0 & 3,5 T | | | | | | | | |
|-----------------|----|--|-----------------|-------|-------|-----------------|-------|-------|-------|-------|-------|-------|-------|-------|
| | | | DLL37 | DLL40 | DLL45 | TLL37 | TLL40 | TLL43 | TLL47 | TLL50 | TLL55 | TLL60 | TLL65 | TLL70 |
| h3* | mm | | 3700 | 4000 | 4500 | 3700 | 4000 | 4300 | 4700 | 5000 | 5500 | 6000 | 6600 | 7000 |
| h1 | mm | | 2560 | 2750 | 3000 | 2050 | 2150 | 2300 | 2400 | 2560 | 2750 | 3000 | 3250 | 3500 |
| h2 | mm | | 1806 | 1996 | 2246 | 1297 | 1397 | 1547 | 1647 | 1807 | 1997 | 2247 | 2497 | 2747 |
| h4 | mm | | 4499 | 4799 | 5299 | 4500 | 4800 | 5100 | 5500 | 5800 | 6300 | 6800 | 7300 | 7800 |
| | kg | | 3000 | 3000 | 2600 | 3000 | 3000 | 2800 | 2600 | 2400 | 1900 | 1500 | - | - |
| | kg | | 3500 | 3400 | 2700 | 3400 | 3400 | 3100 | 2700 | 2500 | 2100 | 1800 | 1200 | - |

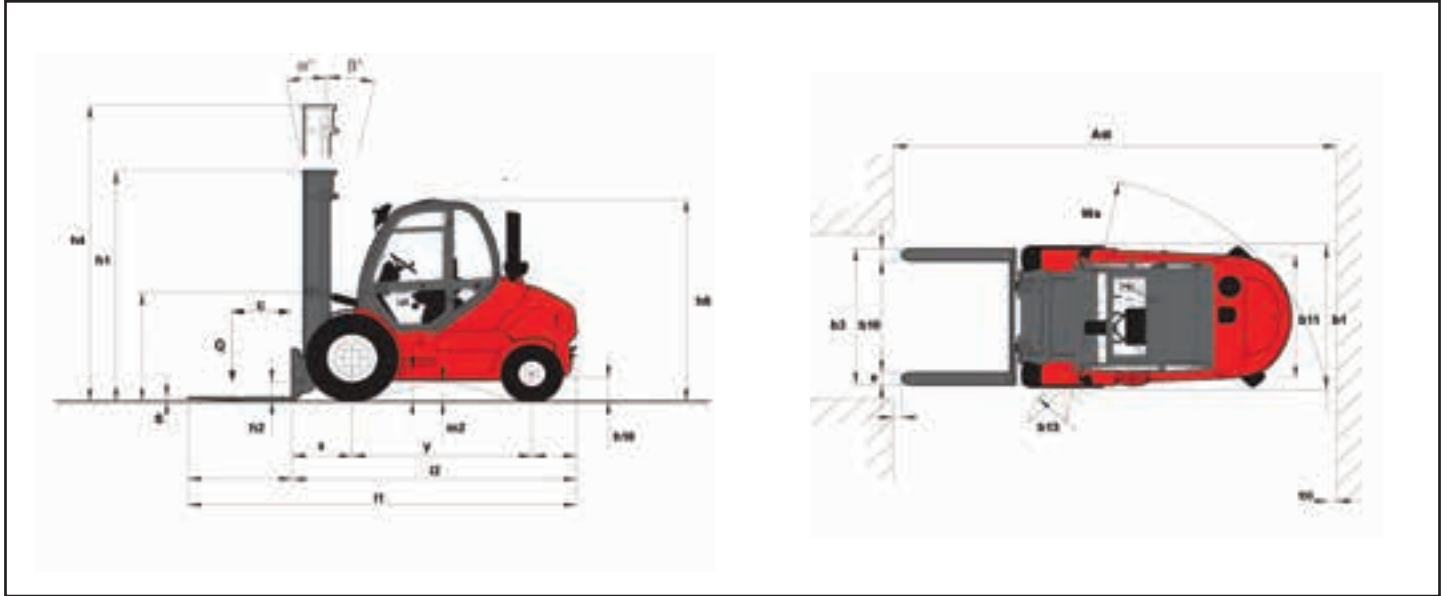
| | | | MANITOU | MANITOU |
|--|--|------------------|-----------------------|-----------------------|
| | | | MH 20 | MH 25 |
| | | | | |
| | | Q | 2000 | 2500 |
| | | c | 500 | 500 |
| | | x | 625 | 625 |
| | | y | 1800 | 1800 |
| | | | 4050 | 4350 |
| | | | 5091 / 864 | 5812 / 948 |
| | | | 1841 / 2114 | 1750 / 2510 |
| | | | 280/80 R20 XMCL | 280/80 R20 XMCL |
| | | | 27,10 - 12 IC 30 14PR | 27,10 - 12 IC 30 14PR |
| | | | 4 | 4 |
| | | b10 | 1450 | 1450 |
| | | b11 | 1160 | 1160 |
| | | α / β | 10 / 12 | 10 / 12 |
| | | h1 | 1835 | 1835 |
| | | h2 | - | - |
| | | h3 | 3300 | 3300 |
| | | h4 | 4070 | 4070 |
| | | h6 | 1990 | 1990 |
| | | h7 | 1025 | 1025 |
| | | h10 | 470 | 470 |
| | | l1 | 4045 | 4045 |
| | | l2 | 2945 | 2945 |
| | | b1 | 1450 | 150 |
| | | s / e / l | 40 / 100 / 1100 | 40 / 100 / 1100 |
| | | | | |
| | | b3 | 1260 | 1260 |
| | | m1 | 270 | 270 |
| | | m2 | 260 | 260 |
| | | Ast | 5090 | 5090 |
| | | Ast | 5290 | 5290 |
| | | Wa | 2500 | 2500 |
| | | b13 | 1080 | 1080 |
| | | | 14 / 14 | 14 / 14 |
| | | | 0,4 / 0,6 | 0,6 / 0,6 |
| | | | 0,6 / 0,5 | 0,6 / 0,5 |
| | | | 3550 / 2190 | 3550 / 2190 |
| | | | 57 / 52 | 50 / 48 |
| | | | | |
| | | | 44 | 44 |
| | | | 1600 | 1600 |
| | | | 4/2434 | 4/2434 |
| | | | | |
| | | | 125 | 125 |
| | | | 77 | 77 |
| | | | 81 | 81 |



| MH 2,0 & 2,5 T | | | DVT | | | | | | |
|----------------|----|--|-------|-------|-------|-------|-------|-------|-------|
| | | | DVT27 | DVT30 | DVT33 | DVT35 | DVT37 | DVT40 | DVT45 |
| h3* | mm | | 2730 | 3030 | 3330 | 3530 | 3730 | 4030 | 4530 |
| h1 | mm | | 1995 | 2145 | 2295 | 2395 | 2555 | 2745 | 2995 |
| h2 | mm | | 130 | 130 | 130 | 130 | 130 | 130 | 130 |
| h4 | mm | | 3531 | 3831 | 4131 | 4331 | 4531 | 4831 | 5331 |
| MH20 | kg | | 2000 | 2000 | 2000 | 1800 | 1600 | 1500 | 1100 |
| MH25 | kg | | 2500 | 2500 | 2500 | 1900 | 1900 | 1550 | 1100 |

| MH 2,0 & 2,5 T | | | DLL | | | | | | TLL | | | |
|----------------|----|--|-------|-------|-------|-------|-------|-------|-------|-------|-------|-------|
| | | | DLL30 | DLL33 | DLL35 | DLL37 | DLL40 | DLL45 | TLL37 | TLL40 | TLL43 | TLL47 |
| h3* | mm | | 3040 | 3340 | 3540 | 3740 | 4040 | 4540 | 3740 | 4040 | 4340 | 4740 |
| h1 | mm | | 2145 | 2295 | 2395 | 2555 | 2745 | 2995 | 1945 | 2045 | 2145 | 2295 |
| h2 | mm | | 1388 | 1538 | 1638 | 1798 | 1988 | 2238 | 1216 | 1316 | 1416 | 1566 |
| h4 | mm | | 3797 | 4097 | 4297 | 4497 | 4797 | 5297 | 4469 | 4769 | 5069 | 5469 |
| MH20 | kg | | 2000 | 2000 | 1800 | 1600 | 1500 | 1100 | 1600 | 1500 | 1200 | 1000 |
| MH25 | kg | | 2500 | 2500 | 1900 | 1900 | 1550 | 1100 | 1900 | 1550 | 1250 | 1000 |

| | | | | MANITOU | MANITOU |
|--|--|-----------|--|-----------------|-----------------|
| | | | | MSI 40 T | MSI 50 T - |
| | | | | | |
| | | Q | | 4 | 5 |
| | | c | | 500 | 600 |
| | | x | | 691 | 701 |
| | | y | | 2075 | 2075 |
| | | | | 6980 | 8420 |
| | | | | 9245 / 1735 | 11467 / 1953 |
| | | | | 3210 / 3770 | 3489 / 4931 |
| | | | | | |
| | | | | 315/70 R22,5 | 315/70 R22,5 |
| | | | | 225/75 R15 | 225/75 R15 |
| | | | | 2x 2 | 2x 2 |
| | | b10 | | 1420 | 1420 |
| | | b11 | | 1142 | 1142 |
| | | α / β | | 10 / 12 | 10 / 12 |
| | | h1 | | 2775 | 2775 |
| | | h2 | | - | - |
| | | h3 | | 3700 | 3700 |
| | | h4 | | 4677 | 4672 |
| | | h6 | | 2440 | 2440 |
| | | h7 | | 1300 | 1300 |
| | | h10 | | 540 | 540 |
| | | l1 | | 4494 | 4584 |
| | | l2 | | 3294 | 3384 |
| | | b1 | | 1732 | 1732 |
| | | s / e / l | | 50 / 150 / 1200 | 60 / 150 / 1200 |
| | | | | | |
| | | b3 | | 1670 | 1670 |
| | | m1 | | 185 | 185 |
| | | m2 | | 225 | 225 |
| | | Ast | | 4756 | 5041 |
| | | Ast | | 4956 | 5241 |
| | | Wa | | 2865 | 2950 |
| | | b13 | | 125 | 125 |
| | | | | 22 / 22 | 22 / 22 |
| | | | | 0.6 / 0.6 | 0.5 / 0.5 |
| | | | | 0.4 / 0.5 | 0.4 / 0.4 |
| | | | | 3180 / 2020 | 3350 / 2420 |
| | | | | 24 / 29 | 24 / 26 |
| | | | | | |
| | | | | 55 | 55 |
| | | | | 2200 | 2200 |
| | | | | 4/3400 | 4/3400 |
| | | | | | |
| | | | | 230 | 230 |
| | | | | 103 | 103 |
| | | | | 81 | 81 |



| MSI 40 T CDG 500 mm | | | | | | | | | | | | | | |
|---------------------|----|--|-------|-------|-------|-------|-------|-------|-------|-------|-------|-------|-------|-------|
| | | | DVT30 | DVT33 | DVT35 | DVT37 | DVT40 | DVT45 | DVT50 | DLL30 | DLL33 | DLL35 | DLL37 | DLL40 |
| h3* | mm | | 3000 | 3300 | 3500 | 3700 | 4000 | 4500 | 5000 | 3000 | 3300 | 3500 | 3700 | 4000 |
| h1 | mm | | 2425 | 2575 | 2675 | 2775 | 2925 | 3175 | 3425 | 2450 | 2600 | 2700 | 2800 | 2950 |
| h2 | mm | | - | - | - | - | - | - | - | 1532 | 1682 | 1782 | 1882 | 2032 |
| h4 | mm | | 3977 | 4277 | 4477 | 4677 | 4977 | 5477 | 5977 | 3968 | 4268 | 4468 | 4668 | 4968 |
| | kg | | 4000 | 4000 | 4000 | 4000 | 4000 | 4000 | 4000 | 4000 | 4000 | 4000 | 4000 | 4000 |

| MSI 40 T CDG 500 mm | | | | | | | | | | |
|---------------------|----|--|-------|-------|-------|-------|-------|-------|-------|-------|
| | | | TLL37 | TLL40 | TLL43 | TLL45 | TLL47 | TLL50 | TLL55 | TLL60 |
| h3* | mm | | 3700 | 4000 | 4300 | 4500 | 4700 | 5000 | 5500 | 6000 |
| h1 | mm | | 2175 | 2275 | 2375 | 2450 | 2510 | 2625 | 2775 | 2950 |
| h2 | mm | | 1258 | 1358 | 1458 | 1533 | 1593 | 1708 | 1858 | 2033 |
| h4 | mm | | 4667 | 4967 | 5267 | 5467 | 5667 | 5967 | 6467 | 6967 |
| | kg | | 4000 | 4000 | 4000 | 4000 | 3800 | 3700 | 3500 | 3400 |

| MSI 50 T CDG 600 mm | | | | | | | | | | | | | | |
|---------------------|----|--|-------|-------|-------|-------|-------|-------|-------|-------|-------|-------|-------|-------|
| | | | DVT30 | DVT33 | DVT35 | DVT37 | DVT40 | DVT45 | DVT50 | DLL30 | DLL33 | DLL35 | DLL37 | DLL40 |
| h3* | mm | | 3000 | 3300 | 3500 | 3700 | 4000 | 4500 | 5000 | 3000 | 3300 | 3500 | 3700 | 4000 |
| h1 | mm | | 2425 | 2575 | 2675 | 2775 | 2925 | 3175 | 3425 | 2450 | 2600 | 2700 | 2800 | 2950 |
| h2 | mm | | - | - | - | - | - | - | - | 1541 | 1691 | 1791 | 1891 | 2041 |
| h4 | mm | | 3972 | 4272 | 4472 | 4672 | 4972 | 5472 | 5972 | 3969 | 4269 | 4469 | 4669 | 4969 |
| | kg | | 5000 | 5000 | 5000 | 5000 | 5000 | 4800 | 4800 | 5000 | 5000 | 5000 | 5000 | 5000 |

| MSI 50 T CDG 600 mm | | | | | | | | | | |
|---------------------|----|--|-------|-------|-------|-------|-------|-------|-------|-------|
| | | | TLL37 | TLL40 | TLL43 | TLL45 | TLL47 | TLL50 | TLL55 | TLL60 |
| h3* | mm | | 3700 | 4000 | 4300 | 4500 | 4700 | 5000 | 5500 | 6000 |
| h1 | mm | | 2175 | 2275 | 2375 | 2450 | 2510 | 2625 | 2775 | 2950 |
| h2 | mm | | 1263 | 1363 | 1463 | 1538 | 1598 | 1713 | 1863 | 2038 |
| h4 | mm | | 4662 | 4962 | 5262 | 5462 | 5662 | 5962 | 6462 | 6962 |
| | kg | | 4900 | 4900 | 4900 | 4800 | 4600 | 4400 | 3800 | 3100 |