

LX Series

Diesel and LP Gas Forklift Trucks

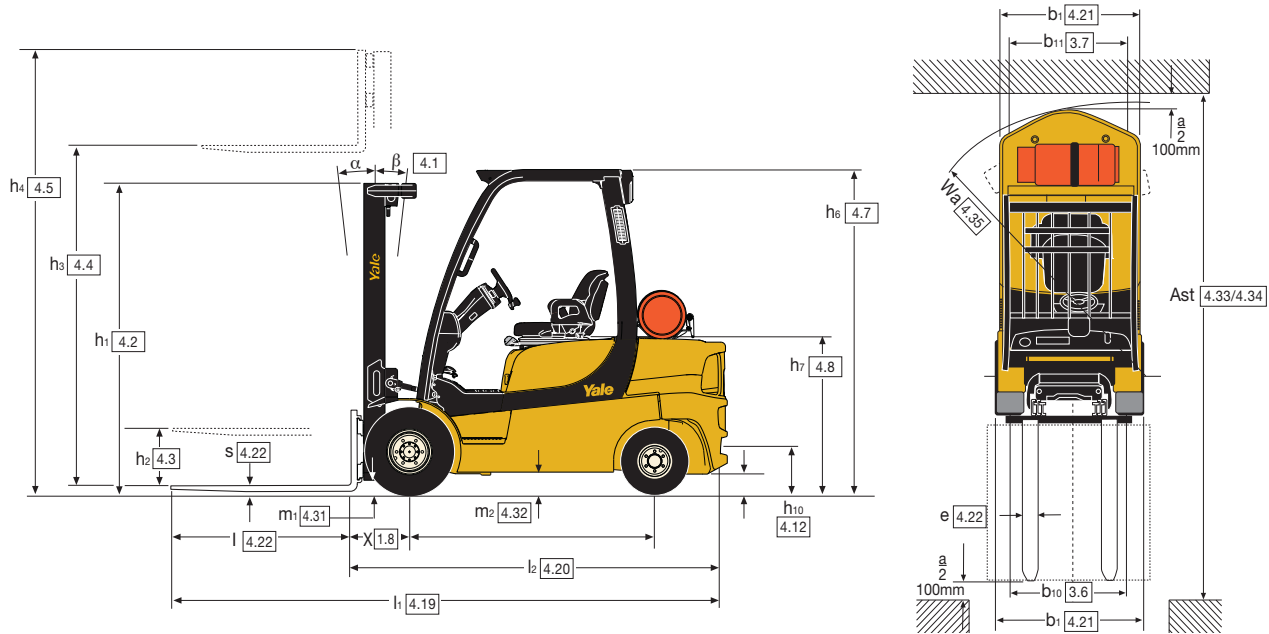
2,000kg and 2,500kg



- 2,000kg or 2,500kg capacities, Diesel or LPG power
- Electronic Powershift transmission delivers fast load handling
- Proven components ensure excellent reliability and high productivity

Yale 
People. Products. Productivity.

Truck Dimensions



Mast details and capacity ratings (kg) - Supercushion tyres

Model						GDP/GLP 20 LX		GDP/GLP 25 LX	
Tyres						Front: 6.5 x 10-10, Rear: 18 x 7-8		Front: 6.5 x 10-10, Rear: 18 x 7-8	
Width across tyres						1147mm		1147mm	
Mast	Overall lowered height (mm) h1	Free Lift (ToF) (mm) h2	Max. Fork height (mm) h3 + s	Overall extended height (mm) h4	Back tilt	Without side shift	With integral side shift	Without side shift	With integral side shift
						Capacity in kg @ 500mm load centre	Capacity in kg @ 500mm load centre	Capacity in kg @ 500mm load centre	Capacity in kg @ 500mm load centre
2-Stage LFL	2176	140	3332	4555	5°	2000	1920	2500	2400
	2426	140	3832	5055	5°	2000	1910	2500	2400
3-Stage FFL	2049	1554**	4325	5537*	5°	2000	1900	2500	2400
	2199	1704**	4775	5987*	5°	1800	1760	1930	1900
	2299	1804**	5075	6287*	5°	1500	1460	1610	1570

* With load backrest

** Without load backrest

Application Guide

Attributes	GDP/GLP20LX	GDP/GLP25LX
Operation	Standard applications – Intermittent use	Standard applications – Intermittent use
Typical Shifts per Day	1-2 shifts	1-2 shifts
Typical Hours per year	Up to 1500	Up to 1500
Typical Operation Frequency	Intermittent	Intermittent
Duty Cycle Levels	Moderate	Moderate
Ramp Usage	Occasional	Occasional
Fuel Type	Diesel / LPG	Diesel / LPG
Standard Engine	2.6L / 2.2L	2.6L / 2.2L
Engine Power	29,1kW / 36.0kW	29,1kW / 36.0kW
Mast Types	2-Stage Limited Free Lift or 3-Stage Full Free Lift	2-Stage Limited Free Lift or 3-Stage Full Free Lift
Attachment Compatibility	Side-shift and non-clamping attachments	Side-shift and non-clamping attachments
Hydraulic Functions	2 auxiliary functions	2 auxiliary functions
Travel Speeds (with load, km/h)	16,9 / 18,3	16,9 / 18,3
Ast 1000 mm x 1200mm wide	3763 mm	3824 mm
Lift Speed with load (m/s)	0,42 / 0,47	0,41 / 0,47
Gradeability laden @1,6 km/h	29,3% / 30,3%	26,1% / 28,7%

VDI 2198 - General Specifications

		GDP 20 LX		GDP 25 LX		GLP 20 LX		GLP 25 LX			
Characteristics	1.1	Manufacturer	Yale		Yale		Yale		Yale		
	1.2	Model designation	GDP 20 LX		GDP 25 LX		GLP 20 LX		GLP 25 LX		
	1.3	Power: battery, diesel, LPG, electric mains	Diesel		Diesel		LPG		LPG		
	1.4	Operation: manual, pedestrian, stand, seat, orderpicker	Seat		Seat		Seat		Seat		
	1.5	Load capacity	Q (kg)	2,000		2,500		2,000		2,500	
	1.6	Load centre	c (mm)	500		500		500		500	
	1.8	Load distance	x (mm)	388		388		388		388	
	1.9	Wheelbase	y (mm)	1623		1623		1623		1623	
	Weights	2.1	Unladen weight	kg	3400		3675		3240		3520
2.2		Axle loading with load, front/rear	kg	4806 / 594		5635 / 540		4727 / 513		5493 / 527	
2.3		Axle loading without load, front/rear	kg	1712 / 1688		1630 / 2045		1632 / 1608		1560 / 1960	
Wheels and Tyres	3.1	Tyres: L = Pneumatic, V = Solid, SE = Supercushion		SE		SE		SE		SE	
	3.2	Tyre size, front		6.5 X 10-10		6.5 X 10-10		6.5 X 10-10		6.5 X 10-10	
	3.3	Tyre size, rear		18 X 7-8		18 X 7-8		18 X 7-8		18 X 7-8	
	3.5	Number of wheels, front/rear (X = driven)		2x / 2		2 x / 2		2 x / 2		2 x / 2	
	3.6	Track width, front	b10 (mm)	978		978		978		978	
	3.7	Track width, rear	b11 (mm)	895		895		895		895	
	Dimensions	4.1	Tilt of mast / fork carriage forward / back	α / β (°)	5 / 5		5 / 5		5 / 5		5 / 5
4.2		Height of mast, lowered	h 1 (mm)	2049		2049		2049		2049	
4.3		Free lift ▲ +	h2 (mm)	1554		1554		1554		1554	
4.4		Lift height ▲	h3 (mm)	4325		4325		4325		4325	
4.5		Height of mast, extended +	h4 (mm)	4820		4820		4820		4820	
4.7		Height to top of overhead guard ○	h6 (mm)	2149		2149		2149		2149	
4.8		Seat height ✕	h7 (mm)	1044		1044		1044		1044	
4.12		Towing coupling height	h10 (mm)	330		330		330		330	
4.19		Overall length	l1 (mm)	3426		3491		3426		3491	
4.20		Length to face of forks	l2 (mm)	2426		2491		2426		2491	
4.21		Overall width	b1/b2 (mm)	1147		1147		1147		1147	
4.22		Fork dimensions	s/e/l (mm)	40 x 100 x 1000		40 x 100 x 1000		40 x 100 x 1000		40 x 100 x 1000	
4.23		Fork carriage to DIN 15173. Class, A/B		IIA		IIA		IIA		IIA	
4.24		Fork carriage width ▽	b3 (mm)	1067		1067		1067		1067	
4.31		Ground clearance under mast, with load	m1 (mm)	98		98		98		98	
4.32		Ground clearance at centre of wheelbase	m2 (mm)	127		127		127		127	
4.33		Aisle width with pallets 1000mm long x 1200mm wide ●	Ast (mm)	3763		3824		3763		3824	
4.34		Aisle width with pallets 800mm wide x 1200mm long ●	Ast (mm)	3963		4024		3963		4024	
4.35		Outer turning radius	Wa (mm)	2175		2236		2175		2236	
4.36		Internal turning radius	b13 (mm)	676		676		676		676	
4.42	Step height	(mm)	356		356		356		356		
Performance	5.1	Travel speed with/without load	km/h	16.9	17.0	16.9	17.0	18.3	18.5	18.3	18.5
	5.2	Lifting speed with/without load	m/s	0.42	0.52	0.41	0.52	0.47	0.55	0.47	0.55
	5.3	Lowering speed with/without load	m/s	0.50	0.43	0.50	0.43	0.49	0.42	0.49	0.42
	5.5	Drawbar pull with/without load @ 1.6km/h	kN	14.2	8.8	14.0	9.5	15.6	8.8	15.6	9.5
	5.6	Maximum drawbar pull with/without load	kN	16.6	8.8	16.4	9.5	18.3	8.8	18.2	9.5
	5.7	Gradeability with/without load @ 4.8km/h ■	%	20.1	27.3	15.0	27.3	21.1	27.3	20.1	27.3
	5.8	Maximum gradeability with/without load @1.6km/h ■	%	29.3	27.3	26.1	27.3	30.3	27.3	28.7	27.3
	5.9	Acceleration time to 15m with / without load	seconds	5.1	4.5	5.6	4.5	5.1	4.4	5.4	4.5
	5.10	Service brake		Hydraulic		Hydraulic		Hydraulic		Hydraulic	
	Motors	7.1	Engine manufacturer/type		Yanmar		Yanmar		Mazda		Mazda
7.2		Engine output, in accordance with ISO1 585 / DIN 6271	kW	29.1		29.1		36.0		36.0	
7.3		Governed speed	rpm	2400		2400		2600		2600	
7.4		Number of cylinders/displacement	cm ³	4 / 2659		4 / 2659		4 / 2184		4 / 2184	
7.5		Fuel consumption in accordance with VDI cycle	l/hr or kg/hr	2.9		3.3		2.5		2.7	
Other	8.1	Drive control		Automatic		Automatic		Automatic		Automatic	
	8.2	Working pressure for attachments	bar	0-155		0-155		0-155		0-155	
	8.3	Oil flow for attachments	l/min	60		60		60		60	
	8.4	Average noise level at operator's ear ★	dB(A)	79		79		79		79	
	8.4.1	Guaranteed sound power 2001/14/EC		102		102		102		102	
	8.5	Towing coupling type / DIN type		Pin		Pin		Pin		Pin	
	8.7	Hydraulic oil tank, capacity	liters	39.3		39.3		39.3		39.3	
	8.8	Fuel tank, capacity	liters	49.2		-		49.2		-	

★ Measured according to the test cycles and based on the weighting values contained in EN12053.

▲ Top of forks

✕ Full-suspension seat in depressed position

▽ Add 32 mm with load backrest

+ Without load backrest

○ h6 subject to +/- 5 mm tolerance

● Stacking aisle width are based on the V.D.I. standard calculation as shown on illustration. The British Industrial Truck Association recommends the addition of 100 mm to the total clearance (dimension a) for extra operating margin at the rear of the truck.

■ Gradeability figures are provided for comparison of tractive performance, but are not intended to

endorse the operation of the vehicle on the stated inclines. Follow instructions in the operating manual regarding operation on inclines.

Spec sheet truck based on:
4325mm (Top of Forks) 3-stage full free lift mast with standard carriage, 1000mm forks with manual levers.

LX Series

Models: GDP/GLP 20LX, 25LX

Yale GDP/GLP20-25LX

Engineered to deliver high productivity in medium duty and intensity applications, the new Yale GDP/GLP20-25LX series meets the requirements of users who require a cost-effective solution to their materials handling needs.

Available with either Diesel or LPG engines and in 2,000 or 2,500kg capacities only, the new LX has been configured for specific applications, giving customers the opportunity to acquire a truck that exactly meets their materials handling needs, but at a reduced level of investment.

High Productivity

The new 20-25LX provides these customers with the performance characteristics they need, ensuring a high rate of productivity – the electronically controlled Powershift transmission delivers fast load handling and smooth direction changes. Loads can be positioned quickly and correctly thanks to the fast hydraulics and the optional integral sideshift and the responsive electronically-controlled inching adjustments gives the operator better control of load positioning.

Operator Comfort

The more efficient operators are over the course of the shift, the more profitable the operation will be. Operator comfort is therefore key to maximizing productivity, so the LX driving position offers the ideal work place environment for operators, as well as excellent all-round visibility during handling operations.

Whole-body vibration levels are low thanks to the isolated powertrain and the standard full-suspension seat. Foot space is ample and all controls are in within easy reach - a 30cm diameter steering wheel with spinner knob, with an adjustable steering column offers infinite adjustments and comfort and the cowl-mounted hydraulic levers are precise and easy to operate. As drivers often need to get on and off the truck regularly during the shift, entry and exit is made easy thanks to a simple 3-point entry system, with a low step height of 38cm.

Reliable Operation

While carefully designed to operate

efficiently in specific applications with moderate duty cycles, the LX still retains the innovative design and engineering, solid construction and reliability familiar to Yale users. Proven components, such as sealed electrical connectors, O-ring face seal fittings and a well-regarded durable powershift transmission, plus a simplified electrical system that retains the benefits of CANbus wiring, ensuring maximum uptime, high productivity and reduced costs.

Low Operating Costs

Furthermore, the LX offers exceptional value for money - An efficient 2.6L Diesel or 2.2L LPG engine, single-speed transmission and lighter overall weight help to maximise efficiency and deliver lower fuel costs, providing an ideal balance between the amount of loads moved and fuel used.

The use of right-sized, dependable components, reduced electronic complexity and a simplified list of options mean that over the lifetime of the truck, the savings continue to add up. With lower overall operating costs, the LX represents a cost-effective solution for medium-duty materials handling operations with lower operating hours.

Easy Maintenance

Maintenance is made easy thanks to the complete cowl-to-counterweight service access, with a 65° opening hood and one-piece removable floor plate, helping to reduce downtime. Unplanned service can be kept to the minimum thanks to the use of proven, reliable components, such as sealed electrical connectors with IP66 rating against ingress of dirt and water, helping to keep your truck, and your operation, running smoothly.

As with all Yale products, the LX is supported by a dealer network which offers excellent geographical coverage and the most responsive service organization in the industry, delivering after sales support that ensures that the maximum uptime is maintained.

Typical Application

- Secondary distribution
- Wholesale and retail
- Light manufacturing
- Rental

Standard Features:

- 2.2L Mazda LPG or 2.6L Yanmar Diesel engine
- Powershift single speed transmission
- Drum brakes
- Supercushion tyres - Front 6.50 X 10-10 Rear 18 X 7-8
- Continuous Stability Enhancement system
- 2-stage Limited Free Lift mast - 3330mm maximum fork height
- 5 degree forward / 5 degree back tilt
- 1067mm Class IIA carriage
- 1000mm forks
- Vinyl full-suspension seat with seatbelt
- Cowl-mounted levers
- Direction lever
- 2149mm high Overhead Guard
- Rear reflectors
- Low diesel and LPG warning indicator
- Coolant Temperature warning light
- Adjustable steering column
- Integral tie downs
- 12 months/2000 hours manufacturers warranty.

Options

- Masts: 3-stage Full Free Lift: 4800mm, 5100mm
- Load Backrest
- 1100mm, 1200mm forks
- Semi-suspension vinyl seat
- Light Kit: Halogen or LED work lights kit, LED brake, marker and reverse lights
- Amber LED strobe light-low or high mounted
- Back-up Alarm - self adjustable 82 - 102db(A)
- Dual rearview mirrors
- Rear Drive Handle with Horn Button
- Three (3) or four (4) cowl mounted hydraulic control levers for non-clamping attachments
- 3rd function (1 Aux) hose group
- 4th function (2 Aux) hydraulic control.


Yale

NACCO Materials Handling Limited
trading as Yale Europe Materials Handling
Flagship House, Reading Road North,
Fleet, Hampshire GU51 4WD, United Kingdom.
Tel: + 44 (0) 1252 770700 Fax: + 44 (0) 1252 770784
www.yale-forklifts.eu

Country of Registration: England. Company Registration Number: 02636775



Safety. This truck conforms to the current EU requirements. Specification is subject to change without notice.

Yale, VERACITOR and  are registered trademarks. "PEOPLE, PRODUCTS, PRODUCTIVITY", PREMIER, Hi-Vis, and CSS are trademarks in the United States and certain other jurisdictions. MATERIALS HANDLING CENTRAL and MATERIAL HANDLING CENTRAL are Service Marks in the United States and certain other jurisdictions.  is a Registered Copyright.
© Yale Europe Materials Handling 2012. All rights reserved.

Truck shown with optional equipment

Printed in The United Kingdom (1212HG) EN
Publication part no. 258985452 Rev.03